

# Operating Instructions

## REFRIGERATOR/FREEZER COMBINATION

GB

English

**BCB 333 AVEI FF (AUS)**

### Contents

#### **Installation, 2**

Positioning and connection

#### **Description of the appliance, 3-4**

Overall view

Control panel

#### **Start-up and use, 5-6-7-8**

Starting the appliance

Using the display

Using the refrigerator to its full potential

Using the freezer to its full potential

#### **Maintenance and care, 9**

Switching the appliance off

Cleaning the appliance

Avoiding mould and unpleasant odours

Defrosting the appliance

Replacing the light bulb

PURE WIND PLUS Filter maintenance

#### **Precautions and tips, 10**

General safety

Disposal

Respecting and conserving the environment

#### **Troubleshooting, 11**

#### **Assistance, 12**

GB

# Installation

GB

! Before placing your new appliance into operation please read these operating instructions carefully. They contain important information for safe use, for installation and for care of the appliance.

! Please keep these operating instructions for future reference. Pass them on to possible new owners of the appliance.

## Positioning and connection

### Positioning

1. Place the appliance in a well-ventilated humidity-free room.
2. Do not obstruct the fan grills. The compressor and condenser give off heat and require good ventilation to operate correctly and save energy.
3. Ensure the appliance is away from any sources of heat (direct sunlight, electric stove, etc.).

### Electrical connections

After the appliance has been transported, carefully place it vertically and wait at least 3 hours before connecting it to the electricity mains. Before inserting the plug into the electrical socket ensure the following:

- The appliance is earthed and the plug is compliant with the law.
- The socket can withstand the maximum power of the appliance, which is indicated on the data plate located on the bottom left side of the fridge (e.g. 150 W).
- The voltage must be in the range between the values indicated on the data plate located on the bottom left side (e.g. 220-240V).
- The socket is compatible with the plug of the appliance.

If the socket is incompatible with the plug, ask an authorised technician to replace it (*see Assistance*). Avoid using any extension cord or multiple socket outlet.

- If this appliances is supplied from an extension cord or portable electrical outlet device, the extension cord set or electrical portable outlet device must be positioned so that it is not subject to splashing or contact with moisture.

! Once the appliance has been installed, the power supply cable and the electrical socket must be easily accessible.

! The cable must not be bent or compressed.

! The cable must be checked regularly. If the supply cord is damaged, it must be replaced by the manufacturer, its service aagentd or similiary qualified persons in order to avoid s hazard.

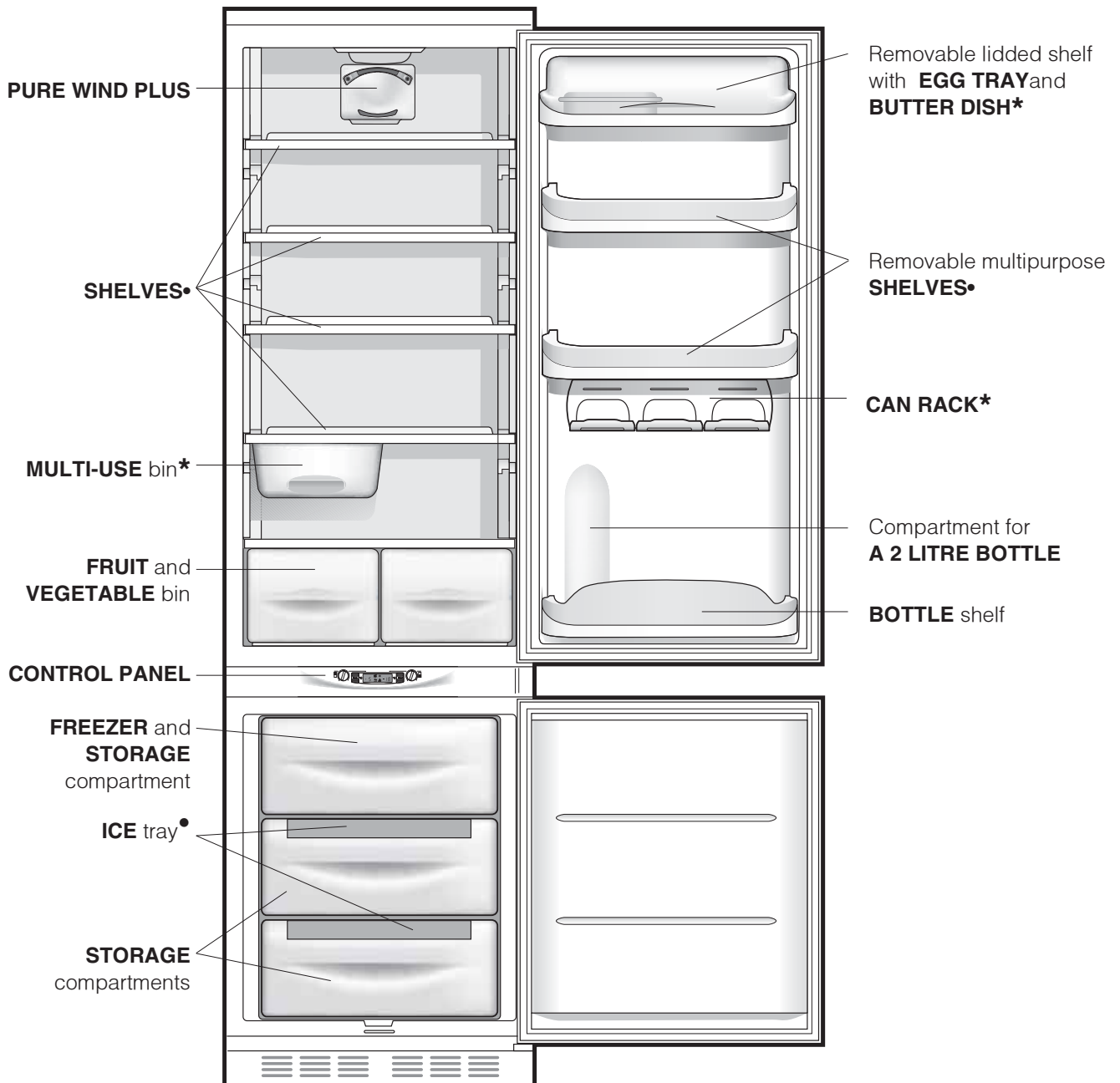
**! The manufacturer declines any liability should these safety measures not be observed.**

# Description of the appliance

## Overall view

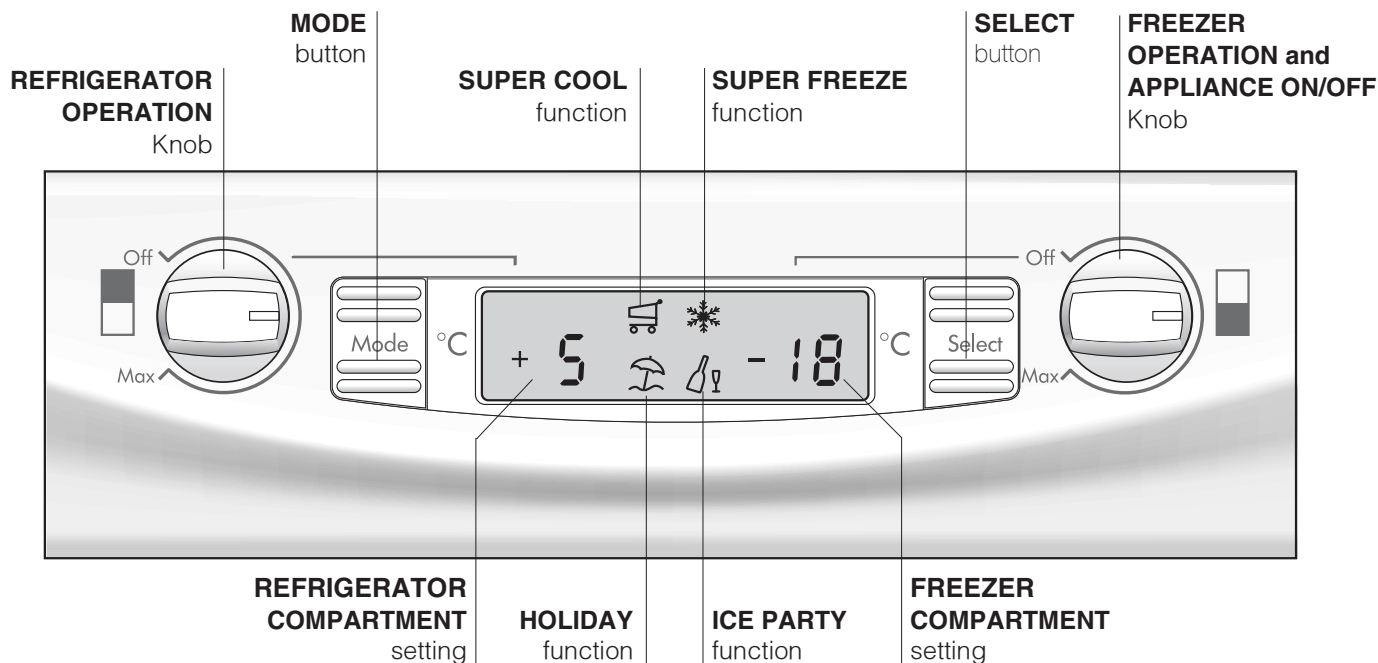
GB

The instructions contained in this manual are applicable to different model refrigerators. The diagrams may not directly represent the appliance purchased. For more complex features, consult the following pages.



• Varies by number and/or position.  
\* Available only on certain models.

## Control panel



- REFRIGERATOR OPERATION Knob**  
 This knob turns the refrigerator compartment on or off and enables you to set the relative operating temperatures.
- MODE button**  
 This button allows you to navigate the display to have access to the various settings/functions and to turn off the alarm buzzers.
- REFRIGERATOR COMPARTMENT setting**  
 Displays the temperature set in the fridge compartment and when the fridge compartment is turned OFF (word OFF indicated).
- SUPER COOL function**  
 Displays the status (disabled, selected or enabled) of the SUPER COOL function (rapid cooling of the refrigerator compartment).
- HOLIDAY function**  
 Displays the status (disabled, selected or enabled) of the HOLIDAY FUNCTION (optimal temperatures with the minimum consumption in the event of prolonged absence).
- SUPER FREEZE function**  
 Displays the status (disabled, selected or enabled) of the SUPER FREEZE function (rapid freezing).
- ICE PARTY function**  
 Displays the status (disabled, selected or enabled) of the ICE PARTY function (maximum speed in cooling a warm bottle and serving it at the table in the special bucket designed to maintain the temperature reached by the bottle).
- FREEZER COMPARTMENT setting**  
 Displays the temperature set in the freezer compartment and when the appliance is turned OFF (word OFF indicated).
- SELECT button**  
 This button selects/deselects the different functions and turns off the alarm buzzers.
- FREEZER OPERATION and APPLIANCE ON/OFF Knob**  
 This knob turns the whole appliance on or off and enables you to set the freezer compartment operating temperatures.

## Starting the appliance

**! Before starting the appliance, follow the installation instructions** (see *Installation*).

**! Before connecting the appliance, clean the compartments and accessories well with lukewarm water and bicarbonate.**

**! The appliance comes with a motor protection control system which makes the compressor start approximately 8 minutes after being switched on. The compressor also starts each time the power supply is cut off whether voluntarily or involuntarily (blackout).**

Once you have plugged the appliance into the mains socket, make sure the display is on (the FREEZER COMPARTMENT knob must not be on Off).

### Freezer compartment

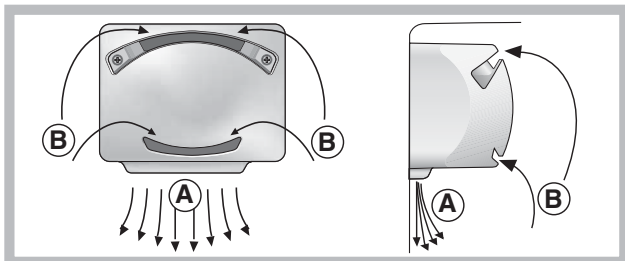
When you turn the appliance on (by turning the FREEZER and APPLIANCE ON/OFF Knob to the required freezer compartment operating temperature), we recommend you enable the SUPER FREEZE function to speed up the cooling process inside the compartment; when the latter has reached the optimal temperature, the function will be disabled and you may place the frozen foods inside the freezer.

### Refrigerator compartment

When you turn the refrigerator compartment on (by turning REFRIGERATOR OPERATION Knob to the required refrigerator compartment operating temperature), we recommend you enable the SUPER COOL function to speed up the cooling process inside the compartment: after a few hours, you may place food inside the refrigerator.

### PURE WIND PLUS

It is recognizable due to the presence of the mechanism on the top part of the refrigerator compartment (see *diagram*).

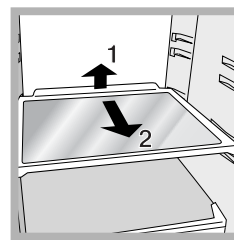


Pure Wind Plus maximises air circulation, improving the efficiency of the evaporator and helping to achieve the optimal temperature inside the refrigerator as quickly as possible each time it has been opened.

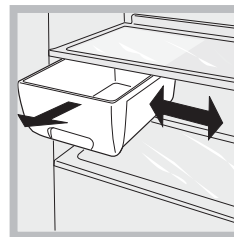
The blown air (A) is cooled when it comes into contact with the cold wall, whereas the hotter air (B) is sucked up (see *diagram*).

The Pure Wind Plus products are also equipped with a filter which, thanks to the inclusion of silver ions, makes it possible to reduce bacteria by 70% and to eliminate odours inside the refrigerator unit, thereby guaranteeing improved food storage.

The back wall may be covered in frost or droplets of water, depending on whether the compressor is in operation or whether it is paused.



**SHELVES:** with or without grill. Due to the special guides the shelves are removable and the height is adjustable (see *diagram*), allowing easy storage of large containers and food. Height can be adjusted without complete removal of the shelf.



**MULTI-USE bin:** to store food (such as cold meats) for a long time and also prevent odours from lingering in the refrigerator. It can be removed for use and it may be shifted sideways to optimise space (see *diagram*).

## Using the display

### Setting the temperature

If the compartment concerned is switched off, the word OFF will appear on the relative indication space on the display (REFRIGERATOR COMPARTMENT setting and FREEZER COMPARTMENT setting). If the compartment is switched on, then the temperatures set at that time will appear. To change them, turn the relative knob directly (REFRIGERATOR OPERATION Knob and FREEZER OPERATION and APPLIANCE ON/OFF Knob).

The refrigerator compartment can be set to between +2°C and +8°C, while the freezer compartment can be set to a temperature of between -18°C and -26°C. The temperature in both cases can be increased or decreased by 1°C at a time.

When the HOLIDAY function is enabled, temperature regulations cannot be made, but the appliance automatically sets itself to the best setting for the situation: +12°C for the refrigerator compartment (if enabled) and -18°C for the freezer compartment.

### Function status



Function symbol during normal operation



Function selected (outline flashing)



Function enabled (outline on)

### Enabling/disabling the functions

Press the MODE button as many times as necessary for the red outline of the function you wish to act on to light up: this indicates that the function has been selected and is ready to be enabled or disabled. Now you can enable or disable the selected function using the SELECT button.

! If you do not confirm your selection by pressing the SELECT button within five seconds of the last action performed on the display, the latter shall go back to displaying the function previously set and indicate that no new modification has been made.

The SUPER COOL function is linked to the refrigerator compartment and when the latter is switched off, no action whatsoever will be possible on the former, other functions foresee an operation that can create conflicts (for example, when the HOLIDAY and SUPER FREEZE functions are enabled simultaneously), in this case a pre-set priority is taken into consideration in order to help you operate the appliance.

! The SUPER FREEZE function features a double mode of operation (see paragraph on operating the freezer compartment).

### Enabling/disabling the DEMO mode:

To run a demonstration of the display operation while keeping the appliance turned off, just enable the DEMO mode.

#### Enabling:

- set the FREEZER OPERATION and APPLIANCE ON/OFF Knob to Off;
- keep the two buttons "Select" and "Mode" pressed for approximately 5 seconds, until you hear the buzzer and the two words "OFF" and "OFF" flash on the display; these words will flash for the entire duration the DEMO mode is enabled.

#### Disabling:

- set the FREEZER OPERATION and APPLIANCE ON/OFF Knob to Off;
- keep the two buttons "Select" and "Mode" pressed for approximately 5 seconds, until you hear the buzzer and the two words "OFF" and "OFF" on the display stop flashing.

### Holiday function

To minimise energy usage when on holiday, it is not necessary to switch the appliance off. The appliance has a function which allows it to maintain the temperature of the refrigerator compartment at approximately 15°C (which can also be used to conserve make-up and beauty products). The freezer temperature must be set to the minimum value in order to preserve the food.

## Using the refrigerator to its full potential

- Use the REFRIGERATOR OPERATION knob to adjust the temperature (*see Description*).
- Activate the SUPER COOL function to lower the temperature quickly. For example, when you place a large number of new food items inside a fridge, the internal temperature will rise slightly. The function quickly cools the groceries by temporarily reducing the temperature until it reaches the ideal level.
- Place only cold or lukewarm foods in the compartment, not hot foods (*see Precautions and tips*).
- Remember that cooked foods do not last longer than raw foods.
- Do not store liquids in open containers. They will increase humidity in the refrigerator and cause condensation to form.

## Using the freezer to its full potential

- Use the FREEZER OPERATION and APPLIANCE ON/OFF Knob to adjust the temperature (*see Description*).
- Do not re-freeze food that is defrosting or that has already been defrosted. These foods must be cooked and eaten (within 24 hours).
- Fresh food that needs to be frozen must not come into contact with food that has already been defrosted. Fresh food must be stored in the top FREEZER and STORAGE compartment where the temperature drops below -18°C and guarantees rapid freezing.
- Do not place glass bottles which contain liquids, and which are corked or hermetically sealed in the freezer because they could break.
- The maximum quantity of food that may be frozen daily is indicated on the plate containing the technical properties located on the bottom left side of the refrigerator compartment (for example: Kg/24h: 4).
- To freeze (if the freezer is already operating):
  - For small quantities, less than the maximum capacity indicated on the data plate (situated on the lower left, next to the salad crisper), enable the SUPER FREEZE function on the display in the "24 hour" mode and insert the food to be frozen. To enable the function, press the MODE button as many times as necessary for the SUPER FREEZE symbol to start flashing and then press the SELECT button to enable the SUPER FREEZE function. After 24 hours, or once the optimal temperatures have been reached, the rapid freezing function is automatically disabled.
  - For large quantities of food to be frozen (up until the maximum load indicated on the data plate situated on the lower left, next to the salad crisper), enable the SUPER FREEZE function on the display in the "48 hours" mode: To enable the function, press the MODE button as many times as necessary for the SUPER FREEZE symbol to start flashing and then press the SELECT button for more than three seconds to ensure the function is enabled (symbol SUPER FREEZE function starts to flash slowly). After 24 hours, the function symbol will stop flashing and go back to being permanently lit; you can now insert the food to be frozen. After another 24 hours, the function will be disabled automatically.

! to avoid blocking the air circulation inside the freezer compartment, it is advisable not to obstruct the ventilation holes with food or containers.

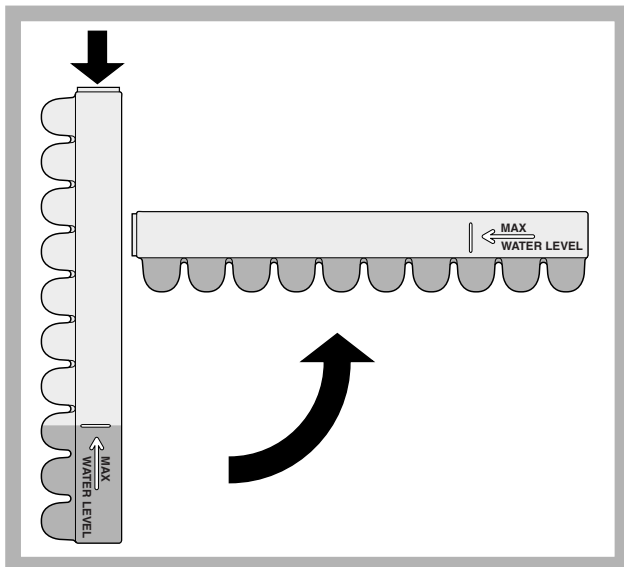
! Do not open the door during freezing.

! If there is a power cut or malfunction, do not open the freezer door. This will help maintain the temperature inside the freezer, ensuring that foods are conserved for at least 9 -14 hours.

**ICE** trays.

The Easy Ice trays are set into the top part of the freezer drawers to maximise the space within the freezer. The trays are drip-free and sealed to prevent food from tainting the ice cubes.

1. Check that the tray is completely empty and fill it with water through the opening provided.
2. Take care not to exceed the level indicated (MAX WATER LEVEL). Excess water prevents the ice cubes from dispensing (if this happens, wait for the ice to melt and empty the tray).
3. Turn the tray 90°: due to the connected compartments each mould fills with water (*see diagram*).
4. Close the opening with the lid provided and put the tray back, placing the top part in the corresponding housing and allowing it to drop in again.
5. When the ice has formed (minimum time approximately 8 hours) knock the tray against a hard surface and wet the outside so that the ice cubes come loose and take them out through the opening.



**ICE PARTY:** ensures bottles of sparkling wine or champagne reach the right temperature.

Place the bottle in the pre-frozen ice bucket located inside the FREEZER and STORAGE compartment and

select the function on the display.

Remove the bottle when the alert is given.

The bucket may be used to serve the bottle, keeping it cool after it has been removed from the appliance.



## Switching the appliance off

During cleaning and maintenance it is necessary to disconnect the appliance from the electricity supply:

1. set the FREEZER OPERATION and APPLIANCE ON/OFF Knob on Off
2. pull the plug out of the socket

! If this procedure is not followed, the alarm may sound. This alarm does not indicate a malfunction. To restore normal operation, it is sufficient to set the FREEZER OPERATION and APPLIANCE ON/OFF knob on the desired value. To disconnect the appliance, follow point 1 and 2.

## Cleaning the appliance

- The external and internal parts, as well as the rubber seals may be cleaned using a sponge that has been soaked in lukewarm water and bicarbonate of soda or neutral soap. Do not use solvents, abrasive products, bleach or ammonia.
- The removable accessories may be soaked in warm water and soap or dishwashing liquid. Rinse and dry them carefully.

## Avoiding mould and unpleasant odours

- The appliance is manufactured with hygienic materials which are odour free. In order to maintain an odour free refrigerator and to prevent the formation of stains, food must always be covered or sealed properly.
- If you want to switch the appliance off for an extended period of time, clean the inside and leave the doors open.

## Defrosting the appliance

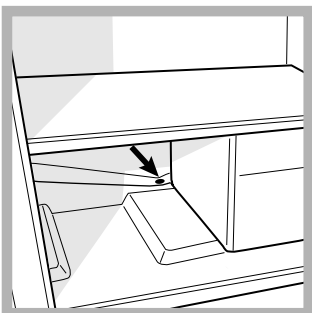
! Follow the instructions below.

Do not use objects with sharp or pointed edges to defrost the appliance as these may damage the refrigeration circuit beyond repair.

### Defrosting the refrigerator compartment

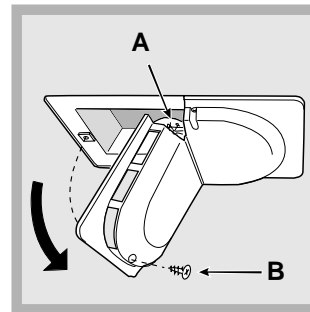
The refrigerator has an automatic defrosting function: water is ducted to the back of the appliance by a

special discharge outlet (see diagram) where the heat produced by the compressor causes it to evaporate. It is necessary to clean the discharge hole regularly so that the water can flow out easily.



## Replacing the light bulb

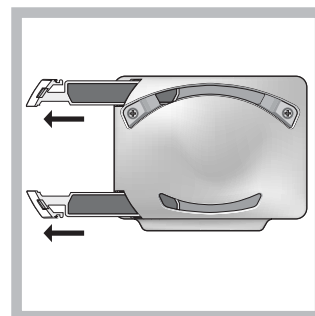
To replace the light bulb in the refrigerator compartment, pull out the plug from the electrical socket. Follow the instructions below. Access the light bulb (A) by unscrewing the fixing screw (B) which is located at the back of the lampcover, as shown (see diagram). Replace it with a similar light bulb, the power of which should not exceed 15W.



## PURE WIND PLUS Filter maintenance

Unhook the filters from the left side of the cover by inserting the tip of a small screwdriver into the gaps (see attached pictures).

Wash the filters regularly (every 12-18 months) under running water, using a neutral detergent to remove any stubborn build-up. Leave the filters to dry before replacing them. If the filters cannot be removed, or if they are difficult to remove, please contact the Technical Assistance Service.



# Precautions and tips

GB

! The appliance was designed and manufactured in compliance with international safety standards. The following warnings are provided for safety reasons and must be read carefully.



This appliance complies with the following Community Directives:

- 73/23/EEC of 19/02/73 (Low Voltage) and subsequent amendments;



- 89/336/EEC of 03.05.89 (Electromagnetic Compatibility) and subsequent amendments;  
- 2002/96/CE..

## General safety

- The appliance was designed for domestic use inside the home and is not intended for commercial or industrial use.
- This appliance is not intended for use by persons (including children) with reduced physical, sensory or mental capabilities, or lack of experience and knowledge, unless they have been given supervision or instruction concerning use of the appliance by a person responsible for their safety.
- Children should be supervised to ensure that they do not play with the appliance.
- The appliance must not be installed outdoors, even in covered areas. It is extremely dangerous to leave the appliance exposed to rain and storms.
- Do not touch the appliance with bare feet or with wet or moist hands and feet.
- Do not touch the internal cooling elements: this could cause skin abrasions or frost/freezer burns.
- Do not damage the refrigerant circuit.
- When unplugging the appliance always pull the plug from the mains socket, do not pull on the cable.
- Before cleaning and maintenance, always switch off the appliance and disconnect it from the electrical supply. It is not sufficient to set the temperature adjustment knobs on **OFF** (appliance off) to eliminate all electrical contact.
- In the case of a malfunction, under no circumstances should you attempt to repair the appliance yourself. Repairs carried out by inexperienced persons may cause injury or further malfunctioning of the appliance.
- Do not use any sharp or pointed utensils or electrical equipment - other than the type recommended by the manufacturer - inside the frozen food storage compartments.

- Do not use electrical appliances inside the food storage compartments of the appliance, unless they are of the type recommended by the manufacturer.
- Do not put ice cubes taken directly from the freezer into your mouth.
- Do not allow children to tamper with the controls or play with the appliance. Under no circumstance should they be allowed to sit on the bins or to hang from the door.
- Keep packaging material out of the reach of children! It can become a choking or suffocation hazard.

## Disposal

- Observe local environmental standards when disposing packaging material for recycling purposes.
- Consumers should contact their local authority or retailer for information concerning the correct disposal of their old appliance.

## Respecting and conserving the environment

- Install the appliance in a fresh and well-ventilated room. Ensure that it is protected from direct sunlight and do not place it near heat sources.
- Try to avoid keeping the door open for long periods or opening the door too frequently in order to conserve energy.
- Do not fill the appliance with too much food: cold air must circulate freely for food to be preserved properly. If circulation is impeded, the compressor will work continuously.
- Do not place hot food directly into the refrigerator. The internal temperature will increase and force the compressor to work harder and will consume more energy.
- Defrost the appliance if ice forms (*see Maintenance*). A thick layer of ice makes cold transference to food products more difficult and results in increased energy consumption.
- Regularly check the door seals and wipe clean to ensure they are free of debris and to prevent cold air from escaping (*see Maintenance*).

If the appliance does not work, before calling for Assistance (*see Assistance*), check for a solution from the following list.

## Malfunctions:

## Possible causes / Solutions:

### The display does not illuminate.

- The plug has not been inserted into the electrical socket, or not far enough to make contact, or there is no power in the house.

### The motor does not start.

- The appliance comes with a motor protection control (*see Start-up and use*).

### The refrigerator and the freezer do not cool well.

- The doors do not close properly or the seals are damaged.
- The doors are opened too frequently.
- The OPERATION knobs are not on the correct setting (*see Description*).
- The refrigerator or the freezer have been over-filled.

### The food inside the refrigerator is beginning to freeze.

- The REFRIGERATOR OPERATION knob is not on the correct setting (*see Description*).
- The food is in contact with the back inside wall of the refrigerator.

### The motor runs continuously.

- The SUPER COOL and/or SUPER FREEZE and/or ICE PARTY functions are enabled (*see Description*).
- The door is not closed properly or is continuously opened.
- The outside ambient temperature is very high.

### The appliance makes a lot of noise.

- The internal refrigerant makes a slight noise even when the compressor is off. This is not a defect, it is normal.

### There is water at the bottom of the refrigerator.

- The water discharge hole is blocked (*see Maintenance*).

### Door open alarm.

Should the refrigerator door be left open for more than two minutes, the lamp inside the compartment will begin to flash; after a few seconds, an alarm buzzer is sounded. To silence this buzzer, just shut the door or press the SELECT button. Should the door remain open for more than 4 minutes, the lamp will flash more rapidly.

### Abnormal freezer heating alarm.

1. To signal an excessive heating on the part of the freezer (e.g. momentary power failure), a buzzer will sound and a message comes up on the display "A1" to signal the dangerous heating of the compartment. To prevent food from refreezing, the freezer will try to maintain a temperature of 0°C, thus allowing you to use up the food within 24 hours or to cook them and then refreeze them. You can turn the buzzer off simply by pressing the SELECT button.  
*To return to normal operation and cancel the message from the display, you need to turn the appliance off and on again, turning the appliance FREEZER OPERATION and APPLIANCE ON/OFF Knob.*
1. If the temperature inside the freezer continues to rise to excessively high values, the buzzer will sound yet again and another message "A2" will come up on the display to signal the dangerous state of overheating. We recommend you check the conditions of the food, as it may be necessary to throw it away. In all cases, food should not be refrozen unless you cook it first. To prevent food from refreezing, the freezer will try to maintain a temperature of 0°C. The buzzer can be turned off by simply pressing the SELECT button. To return to normal operation and cancel the message from the display, you need to turn the appliance off and on again, turning the appliance FREEZER OPERATION and APPLIANCE ON/OFF Knob.

GB

### Before calling for Assistance:

- Check if the malfunction can be solved on your own (*see Troubleshooting*).
- If after all the checks, the appliance still does not operate or the problem persists, call the nearest Service Centre

### Communicating:

- type of malfunction
- appliance model (Mod.)
- serial number (S/N)

This information can be found on the data plate located on the bottom left side of the refrigerator compartment.

model				serial number			
Mod. <b>RG 2330</b>		TI	Cod. <b>93139180000</b>		S/N <b>704211801</b>		
240 V-	Hz	150 W	W	Fuse	A	Max 15	
Total	<b>340</b>	<b>75</b>			Freez. Capac	Class	
Gross Bruto Brut		Gross Bruto Brut	Net Util Utile	Gross Bruto Brut	Poder de Cong kg/24 h	Classe <b>N</b>	
Compr. Syst.	R 134 a	Test	Pressure HIGH-235	Barcode			
Kompr.	kg 0,090	P.S.-I.	LOW 140	Barcode			
Made in Italy 13918							

**Never call on unauthorized technicians and always refuse spare parts which are not originals.**

## ARISTON

### AUSTRALIA

ARISIT PTY LIMITED  
 40-44 Mark Anthony Drive, Dandenong South, WC 3175, Australia  
 Fax: Service & Sales (03) 9768 0838  
 Email: consumer.care@arisit.com

### NEW ZEALAND

ARISIT PTY UMITED  
 PO Box 68-140 Newton, Auckland 1145, New Zealand  
 Fax: (09) 302 0077 - Email: sales@aristonappliances.co.nz

**ARISTON  
 PRIORITY SERVICE**

If you are not completely satisfied with your appliance or require service call

Australia  
 Phone 1300 815 589

New Zealand  
 Phone (09) 306 1020

**GENUINE  
 ACCESSORIES  
 & SPARE PARTS**

A wide range of genuine accessories are available for your appliance call

Australia  
 Phone 03 9768 0888

New Zealand  
 Phone (09) 306 1020